

LRSHOE

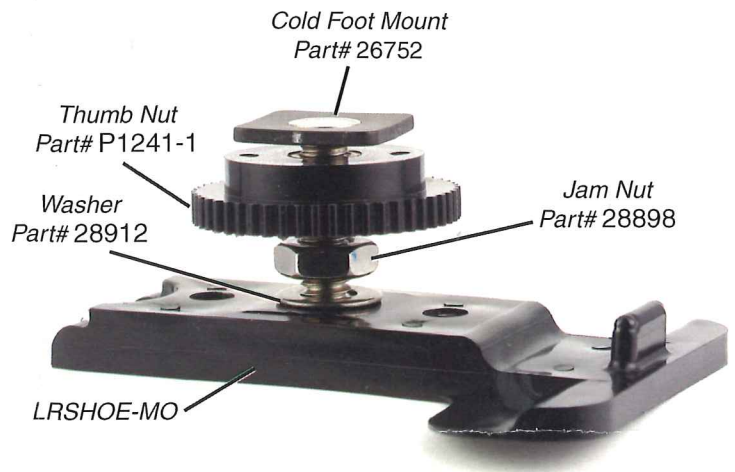
Receiver Mount Kit

TECHNICAL DATA

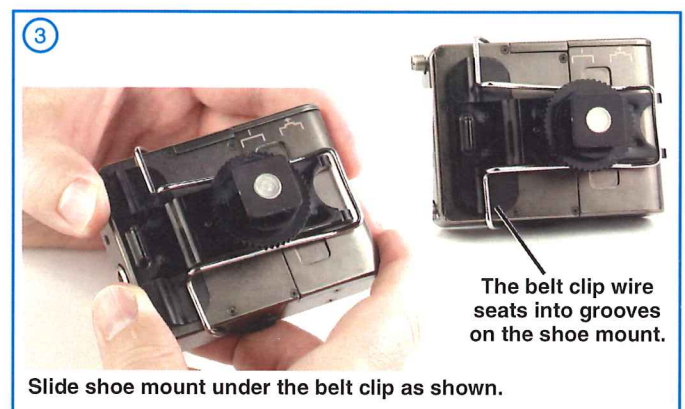
11 November 2014



The LRSHOE kit is supplied with the parts needed to mount the LR receiver on a camera or DSLR accessory bracket.



Assemble the parts as shown. The nut in the bracket is an elliptical tensioning type. A wrench is needed to insert the cold foot stud.



581 Laser Road NE • Rio Rancho, NM 87124 USA • www.lectrosonics.com
(505) 892-4501 • (800) 821-1121 • fax (505) 892-6243 • sales@lectrosonics.com